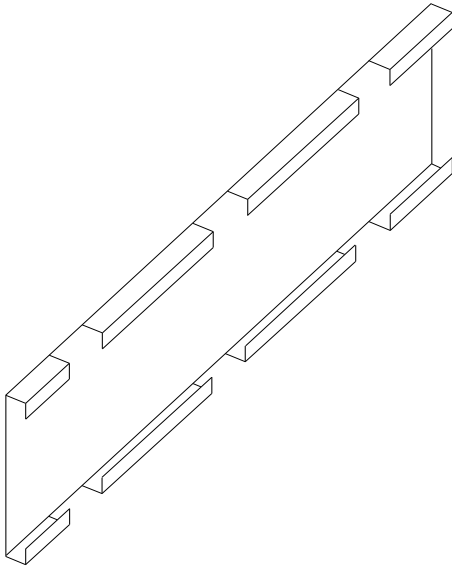
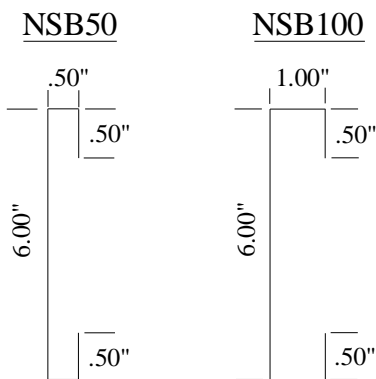




"NSB" Notched Strong Back

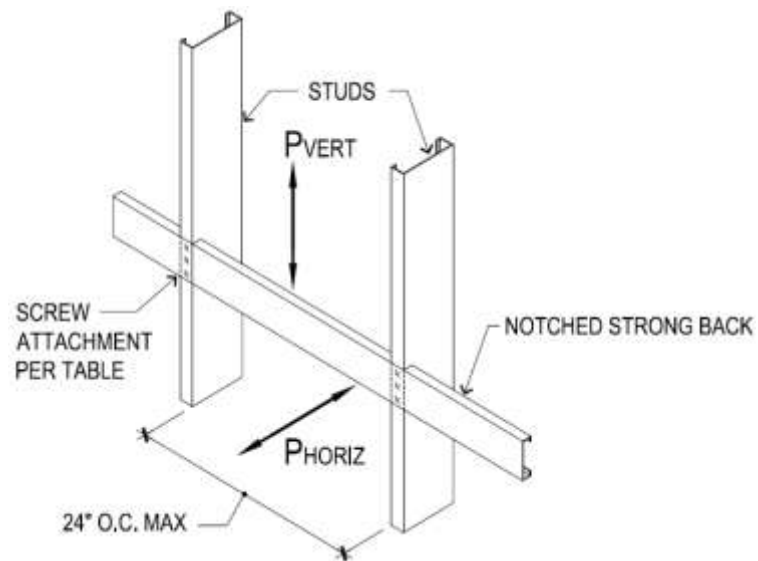


- ❖ "Low Profile" Accommodates Cavity Obstructions
- ❖ Return Lip for Increased Strength



- ❖ Reduced Field "Modifications" and Reinforcement of Field Cut Outs
- ❖ Fastener Attachment per Table

- ❖ Meets Requirements:
- ❖ ADAAG Section 4.26 - (Handrails, Grab Bars, Tub and Shower Seats)
- ❖ OSHA and ICC/A117.1 - Section 609 (Grab Bars) and 610 (Seats) Load Requirements
- ❖ OSHPD 2013 CBC - Standard Backing for Cabinet and Grab Bars (Details ST5.00, ST5.01 and ST5.03)



Patent Pending

- ❖ Notches Stock 16" O.C - (Custom Spacing and Lengths Available)
- ❖ Stock 20ga (33 mil) to 16ga (54 mil) Steel
- ❖ Other Sizes and Gauges available



Allowable Load Capacities

Profile	#10 Screw	Load Direction	Studs - 30mil (.030)	Studs - 43mil (.043)	Studs - 54mil (.054)
600NSB50-33	2	Vertical	302	354	354
		Horizontal	84	84	84
600NSB50-33	3	Vertical	453	531	531
		Horizontal	84	84	84
600NSB50-43	3	Vertical	453	789	789
		Horizontal	105	105	105
600NSB50-43	4	Vertical	604	1052	1052
		Horizontal	105	105	105
600NSB100-43	3	Vertical	453	789	789
		Horizontal	228	282	282
600NSB100-43	4	Vertical	604	1052	1052
		Horizontal	282	282	282
600NSB50-54	3	Vertical	453	789	1500
		Horizontal	189	189	189
600NSB50-54	4	Vertical	604	1052	2000
		Horizontal	189	189	189
600NSB100-54	3	Vertical	453	789	1500
		Horizontal	228	327	513
600NSB100-54	4	Vertical	604	1052	2000
		Horizontal	304	436	513

Section Properties - Per AISI Design Criteria

Profile	Thickness (ga)	Thickness (mils)	Depth (in)	Flange (in)	Fy (ksi)	Ixe (min) (in ⁴)	Sxe (min) (in ³)	Iye (min) (in ⁴)	Sye (min) (in ³)
600NSB50-33	20	33	6	0.50	33	1.085	0.357	0.007	0.018
600NSB50-43	18	43	6	0.50	33	1.416	.0472	0.009	0.022
600NSB50-54	16	54	6	0.50	50	1.736	0.579	0.101	0.026
600NSB100-43	18	43	6	1.00	33	1.816	0.605	0.046	0.060
600NSB100-54	16	54	6	1.00	50	2.236	0.745	0.056	0.072

Table Notes:

1. Design thickness to be per SSMA; 33mil = 0.0346", 43mil = 0.0451", 54mil = 0.0566"
2. Capacities based on backing member properties only and do not consider stud capacity. Stud design by others.
3. Pmax (point load) is the maximum PVERT or PHORIZ load, and is assumed to act at the mid-span through the centroid (shear center) of the backing member.
4. Analysis assumes a maximum stud spacing of 16" o. c.
5. Table values assume vertical and horizontal loads do not occur simultaneously (loads are assumed at worst case condition).
6. All calculations based on 2007 AISI.
7. Properties of NSB backing members for this table have been calculated using CFS version 7.0.0 (RSG Software).
8. Member Analysis assumes that the materials and protective coatings for the cold-formed steel used to manufacture the Notched Strong Back members matches the relevant ASTM requirements used for the production of SSMA members.
9. Minimum screw spacing and edge distance shall not be less than three times the nominal screw diameter (per SSMA)
For #10 screw $3 \times d = 3 \times 0.190" = 0.57"$
10. "Screw Quantity" indicates number of screws from backing to each stud and assumes no loading occurs at adjacent bay simultaneously
11. Screw manufacturer shall confirm that their screws meet the code allowable capacity indicated in the table. Screws shall be per ASTM C1002, or ASTM C954 with coating per ASTM F1941.
12. Architect or Engineer of record to determine profile required and verify adequate connection of profile, wall, and attachment to structure.