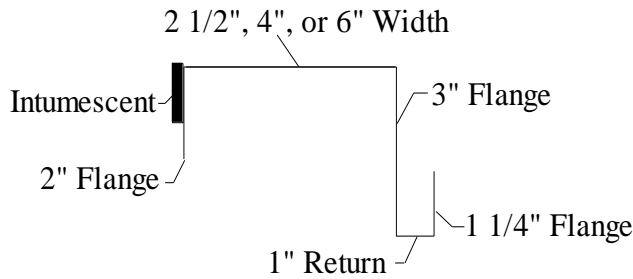


# Double J-Runner "DJR" Continued Rating Shaft Side

## Double J-Runner Rated Profile

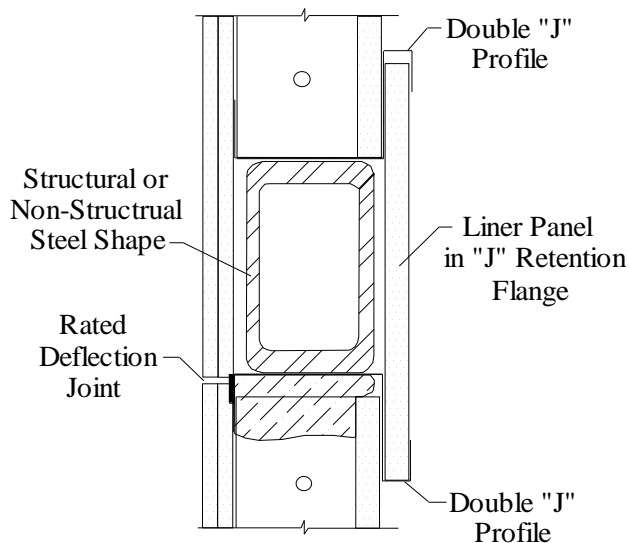


- One Shaftwall Profile Top & Bottom
- "J-Retention" Secures Liner Rip
- Rip Install at Framing (no screws)
- UL Level III (seismic) movement
- Avoid "Short Circuit" Failure of Fastening Rip to Both Levels
- Horizontal and Vertical Applications

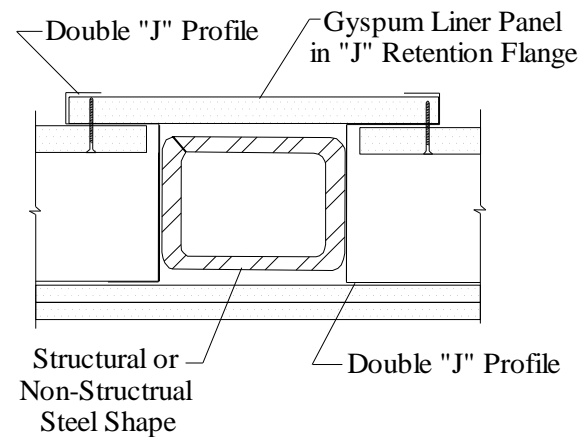
## Double J-runner Install



## Hollow Steel Shape (HSS) – Horizontal

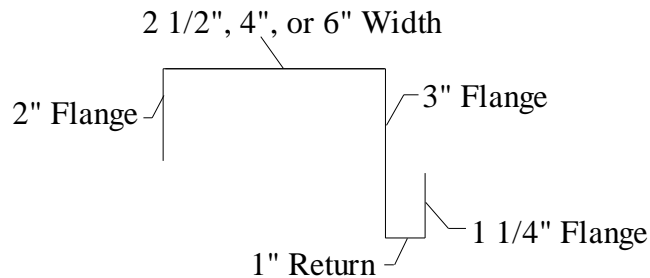


## Hollow Steel Shape (HSS) – Vertical



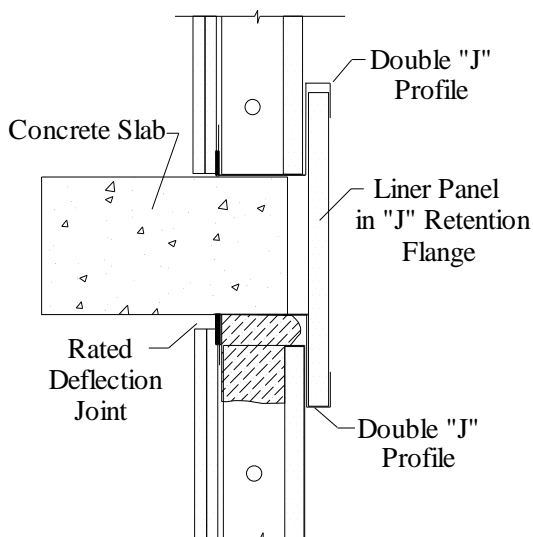
## Double J-Runner "DJR" Continued Rating Shaft Side

### Double J-Runner Bare Profile



- Safe Install of Shaft Side Liner Panel from Finished Side of Assembly During Framing
- Avoid "Reach Around/Dangle" or "Elevator Ride" to Access and Screw Liner Rips from Shaft Side
- Eliminate "Snapping Off" Screws & Failure of Secure Liner Attachment

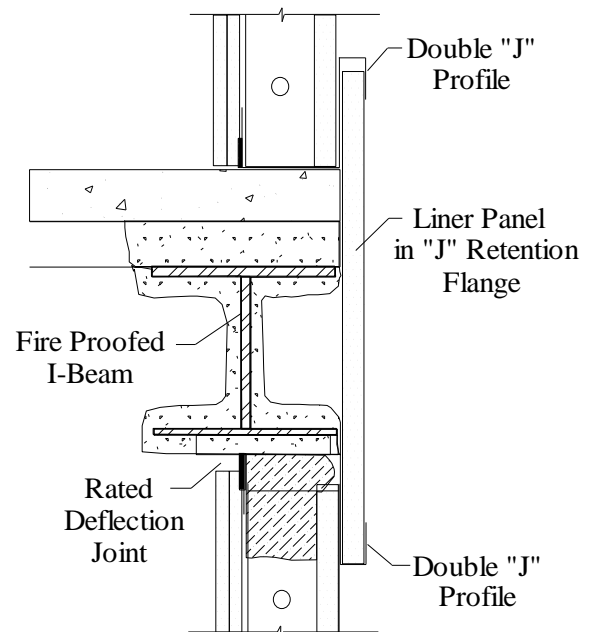
### Concrete Overhang Protection



### Listed in UL Assemblies

- **HW-D-0496** - (Concrete Slab Edge)
- **HW-D-0504** - (Fluted Metal Deck)
- **HW-D-0631** - (Under I-Beam)

### I-Beam Pocket



### Availability:

- 2 1/2", 4" & 6" – 20, 18, & 16ga
- Solid Legs (DJR) – Bare or Rated
- Data Sheets - [www.blazeframe.com](http://www.blazeframe.com)

### Additional Technical Service

- Call: 425-869-2811
- Fax: 425-869-2300
- Email: [support@blazeframe.com](mailto:support@blazeframe.com)