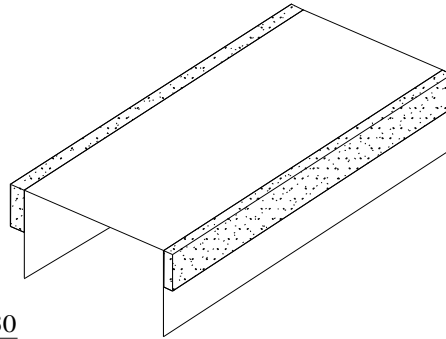
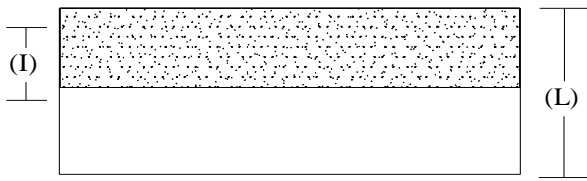


# Product Profile Dimensions



## PS1 - "DL" (Deep Leg) Profiles with two solid legs

Composite Fire Stop/Framing for use in up to 2 hr rated wall assemblies. Provides 100% unencumbered joint protection accommodates up to 3" overall movement with level III (seismic) certification. Minimum G40 (20ga) and G60 (18ga and heavier) coating with two solid legs supporting "free floating" studs per listed assemblies in UL Fire Resistance Directory.

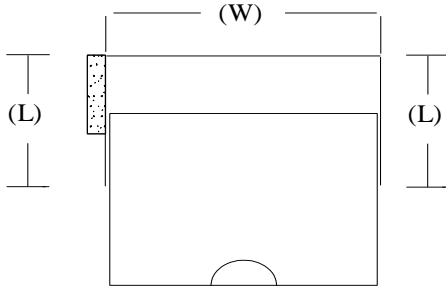


Pat. Pend

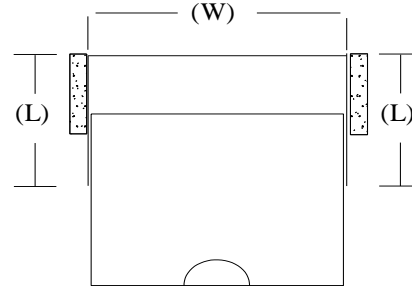
| Widths (W)   | Mil (Ga)  |
|--------------|-----------|
| 250 (2 1/2") | .030 (20) |
| 362 (3 5/8") | .033 (20) |
| 400 (4")     | .043 (18) |
| 600 (6")     | .054 (16) |
| 800 (8")     | .068 (14) |

Part Identification  
 Example: 400DL2 - 30  
           400 DL 2 - 30  
           Track Width Profile Series Gauge

1 - Series (Fire Stop One Side)



2 - Series (Fire Stop Both Sides)



| Profile | Leg Length<br>(L) | Strip Width<br>(I) | Slot Height<br>(S) | Joint Protection |
|---------|-------------------|--------------------|--------------------|------------------|
| DL      | 2.00"             | 1.00"              | N/A                | .75"             |
| DLW     | 2.00"             | 1.25"              | N/A                | 1.00"            |
| DLX     | 2.50"             | 1.75"              | N/A                | 1.50"            |
| DLZ     | 3.00"             | 2.25"              | N/A                | 2.00"            |
| DLY     | 4.00"             | 3.25"              | N/A                | 3.00"            |

**UL, ASTM & Code Standards**

UL2079, E814, E1966, ULC S115-M95  
 A1003, A653, A924, C645, C754, C955  
 AISI 2004 NAS  
 2006 & 2009 IBC  
 2007 CBC

**Lead Points**

MR 2.1 & 2.2 - Construction Waste: up to 2pts  
 MR 4.1 & 4.2 - Recycled Content: up to 2 pts  
 MR 5.1 & 5.2 - Regional Proximity  
 EQ 4.1 - Low Emitting Materials  
 EQ 9 - Enhanced Acoustical

Phone: (425) 869-2811 Fax: (425) 869-2300