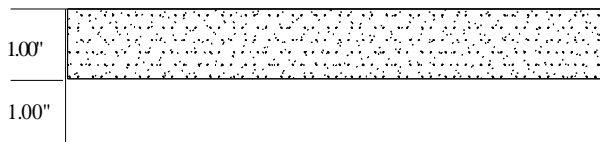


Product Profile Dimensions

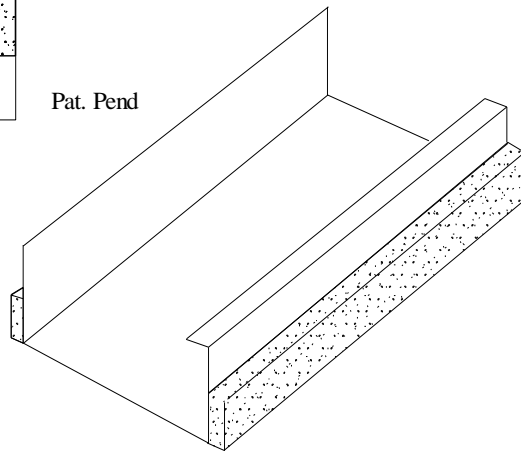


PS19 - "RCD" (Deep Leg Track Profile) to Accommodate Resilient Channel

Composite Fire Stop/Framing for use in up to 2 hr rated wall assemblies. Minimum G40(20ga) and G60 (18ga and heavier) coating with one 2" leg for permanent attachment of studs and second 2" leg with 1/2" return to accommodate resilient channel.



Pat. Pend



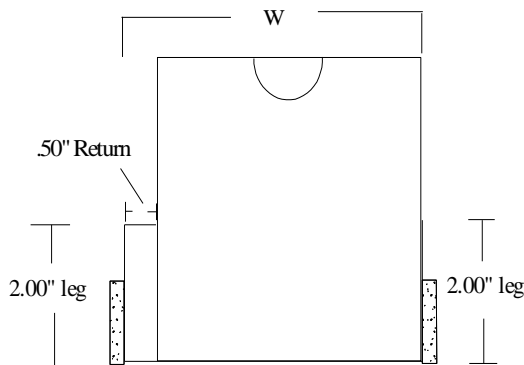
Widths (W)	Gauge
300 (3")	.030 (20)
418 (4 1/8")	.033 (20)
412 (4 1/2")	.043 (18)
612 (6 1/2")	
812 (8 1/2")	

Part Identification
Example: 418RCD-30

418 RCD - 30

Track Width Profile Gauge

RCD - Series



UL, ASTM & Code Standards

UL2079, E814, E1966, ULC S115-M95
A1003, A653, A924, C645, C754, C955
AISI 2004 NAS
2006 & 2009 IBC
2007 CBC

Leed Points

MR 2.1 & 2.2 - Construction Waste: up to 2pts
MR 4.1 & 4.2 - Recycled Content: up to 2 pts
MR 5.1 & 5.2 - Regional Proximity
EQ 4.1 - Low Emitting Materials
EQ 9 - Enhanced Acoustical

Phone: (425) 869-2811 Fax: (425) 869-2300