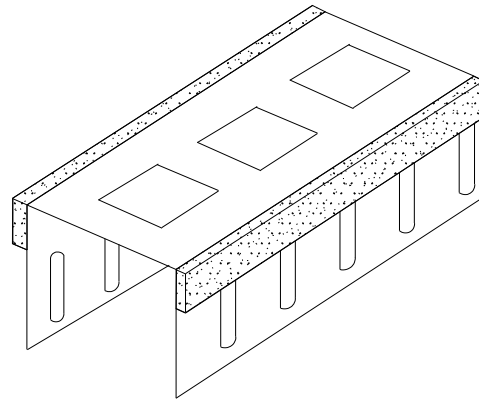
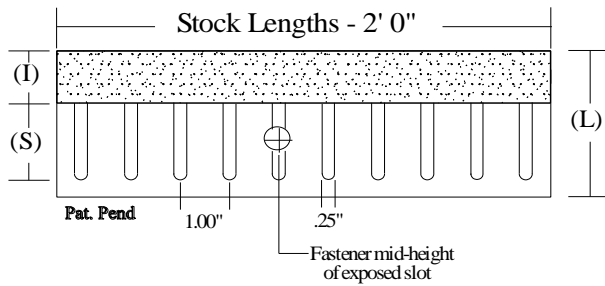


Product Profile Dimensions

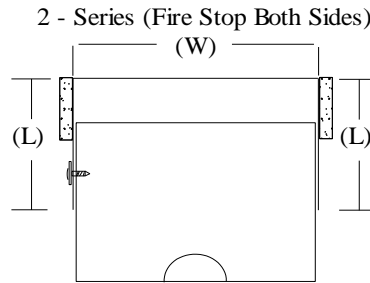
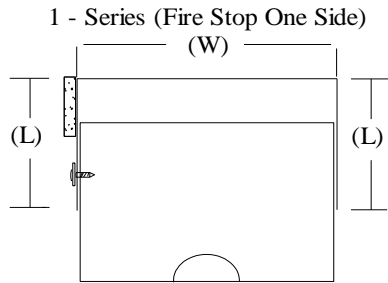


PS38 - BlazeFrame "SKB" Service Knockout Bridge/Bypass

Composite Fire Stop/Framing for use in up to 2 hr rated wall assemblies. Provides 100% unencumbered joint protection accommodates up to 1 1/2" overall movement with level III (seismic) certification. Minimum G40 (20ga) and G60 (18ga and heavier) coating having "service knockouts/starter holes" accommodating vertical sleeve or service pathways per listed assemblies in UL Fire Resistance Directory.



| | | |
|-------------------|-----------------|----------------------------------|
| Widths (W) | Mil (Ga) | Part Identification |
| 250 (2 1/2") | .030 (20) | Example: 362SKB2-30 |
| 362 (3 5/8") | .033 (20) | |
| 400 (4") | .043 (18) | 362 SKB 2 - 30 |
| 600 (6") | .054 (16) | Track Width Profile Series Gauge |
| 800 (8") | .068 (14) | |



| Profile | Leg Length (L) | Strip Width (I) | Slot Height (S) | Joint Protection |
|---------|-------------------|--------------------|--------------------|---------------------|
| SKB | 3.00" | 1.00" | 1.50" | .75" |
| SKBW | 3.00" | 1.25" | 1.50" | 1.00" |
| SKBX | 4.00" | 1.75" | 2.00" | 1.50" |

UL, ASTM & Code Standards

UL2079, E814, E1966, ULC S115-M95
 A1003, A653, A924, C645, C754, C955
 AISI 2004 NAS
 2006 & 2009 IBC
 2007 CBC

Leed Points

MR 2.1 & 2.2 - Construction Waste: up to 2pts
 MR 4.1 & 4.2 - Recycled Content: up to 2pts
 MR 5.1 & 5.2 - Regional Proximity
 EQ 4.1 - Low Emitting Materials
 EQ 9 - Enhanced Acoustical

Phone: (425) 869-2811 Fax: (425) 869-2300