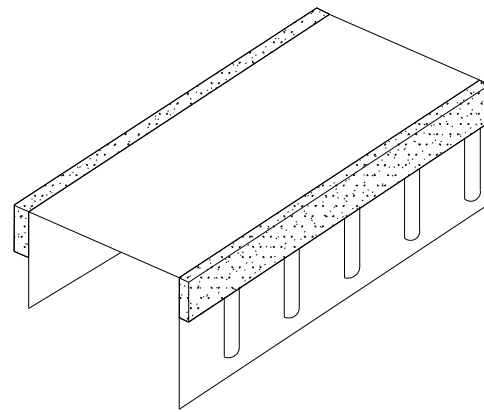
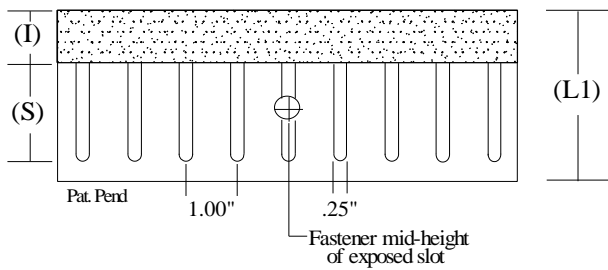


Product Profile Dimensions



PS4 - "SL" (Slotted One Side) Profiles one slotted and one solid leg

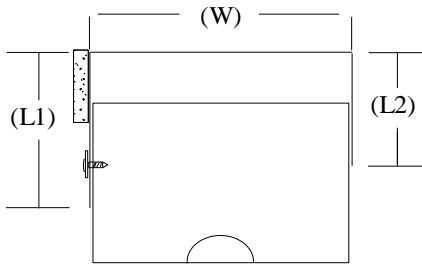
Composite Fire Stop/Framing for use in up to 2 hr rated wall assemblies. Provides 100% unencumbered joint protection accommodates up to 1 1/2" overall movement with level III (seismic) certification. Minimum G40 (20ga) and G60 (18ga and heavier) coating having one leg with slots spaced 1" O/C for permanent attachment of studs per listed assemblies in UL Fire Resistance Directory.



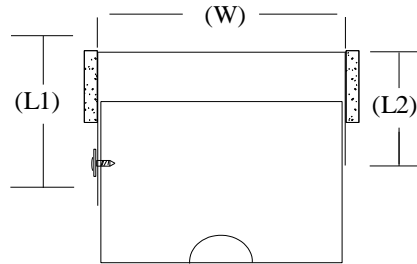
Widths (W)	Mil (Ga)
250 (2 1/2")	.030 (20)
362 (3 5/8")	.033 (20)
400 (4")	.043 (18)
600 (6")	.054 (16)
800 (8")	.068 (14)

Part Identification
 Example: 362SL2-30
362 SL 2 - 30
Track Width Profile Series Gauge

1 - Series (Fire Stop One Side)



2 - Series (Fire Stop Both Sides)



Profile	Slotted Leg Length (L1)	Solid Leg Length (L2)	Strip Width (I)	Slot Height (S)	Joint Protection
SL	3.00"	2.00"	1.00"	1.50"	.75"
SLW	3.00"	2.00"	1.25"	1.50"	1.00"
SLX	4.00"	2.50"	1.75"	2.00"	1.50"

UL, ASTM & Code Standards

UL2079, E814, E1966, ULC S115-M95
 A1003, A653, A924, C645, C754, C955
 AISI 2004 NAS
 2006 & 2009 IBC
 2007 CBC

Lead Points

MR 2.1 & 2.2 - Construction Waste: up to 2pts
 MR 4.1 & 4.2 - Recycled Content: up to 2 pts
 MR 5.1 & 5.2 - Regional Proximity
 EQ 4.1 - Low Emitting Materials
 EQ 9 - Enhanced Acoustical

Phone: (425) 869-2811 Fax: (425) 869-2300