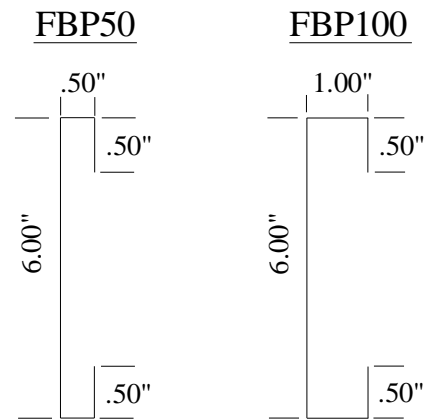
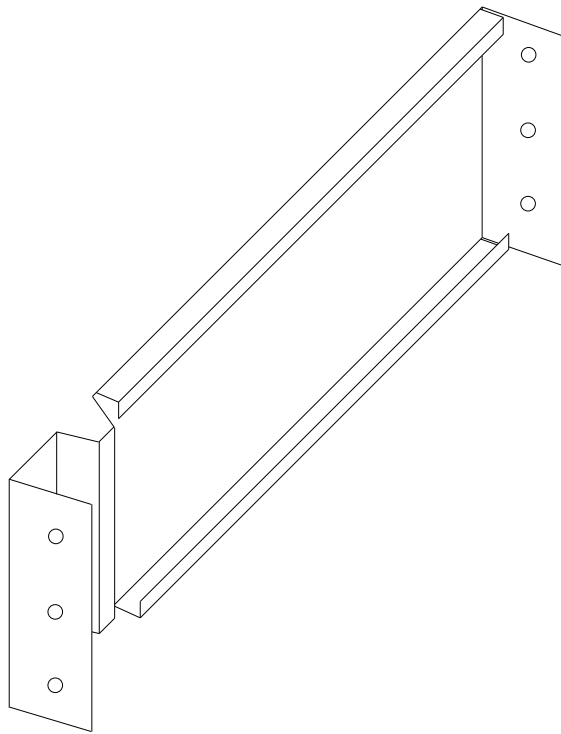


Product Profile Dimensions



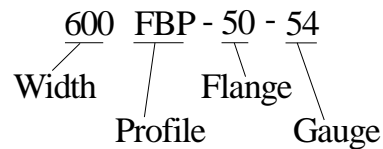
PS52 - "Flush Backing Plate" (FBP) Flush Mount Backing Profiles

Profile for flush mounting between studs and use as backing support of vertical and horizontal loads. Low Profile design with return lip provides increased strength and accommodates stud layout and cavity obstructions. Minimum G40 coating and cold-formed steel matching relevant ASTM requirements.



Part Identification

Example: 600FBP50-54



Stock Size for 16" O.C. Framing
Stock 20ga (33mil) to 16ga (54mil) design thickness
Other Web Size and Gauges available

ASTM & Code Standards

ADAAG Section 4.26
OSHPD 2013 CBC (ST5.00 and ST5.03)
A1003, A653, A924, C645, C754, C955
2006 & 2009 IBC

Lead Points

MR 2.1 & 2.2 - Construction Waste: up to 2pts
MR 4.1 & 4.2 - Recycled Content: up to 2 pts
MR 5.1 & 5.2 - Regional Proximity

Phone: (425) 869-2811 Fax: (425) 869-2300

www.blazeframe.com