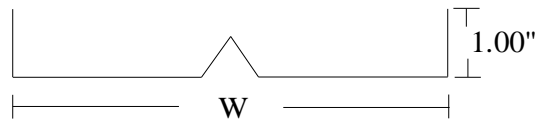
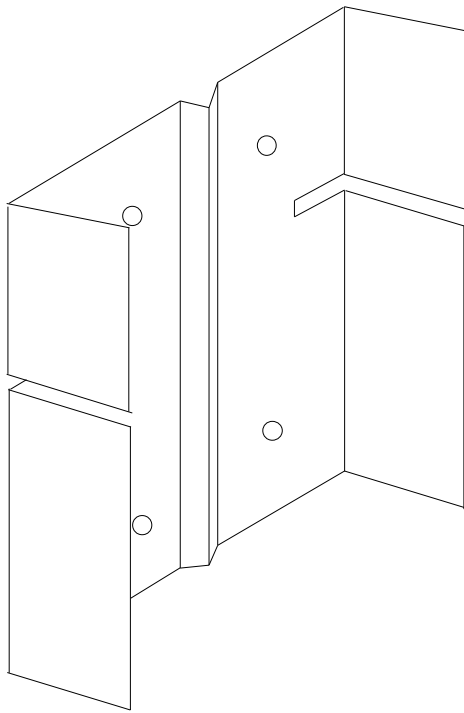


Product Profile Dimensions



PS53 - "HJC" Header, Jamb, Cripple Clip Profiles

Profile used to create a "single jamb stud header assembly" and provide attachment for both jamb and cripple framing. Formed with slots in flanges and web to accommodate return flanges of single jamb stud header and center rib to strengthen profile. Dimensions allow for "throat" or "back to back" attachment of cripple studs and flush profile installation. Minimum G60 coating and cold-formed steel matching relevant ASTM requirements.



Part #	Header	Clip O/D
362HJC - 54	3 5/8"	3 1/2"
400HJC - 54	4"	3 7/8"
600HJC - 54	6"	5 7/8"
800HJC - 54	8"	7 7/8"

16ga Clip - 2.00" to 3.50" Header Flanges
18ga Clip - 1.25" to 1.625" Header Flanges
Stock 16ga (54mil) design thickness
Stock 18ga (43mil) design thickness

ASTM & Code Standards

A1003, A653, A924, C645, C754, C955
2006 & 2009 IBC

Lead Points

MR 2.1 & 2.2 - Construction Waste: up to 2pts
MR 4.1 & 4.2 - Recycled Content: up to 2 pts
MR 5.1 & 5.2 - Regional Proximity

Phone: (425) 869-2811 Fax: (425) 869-2300

www.blazeframe.com