

Structural Support "Beams"

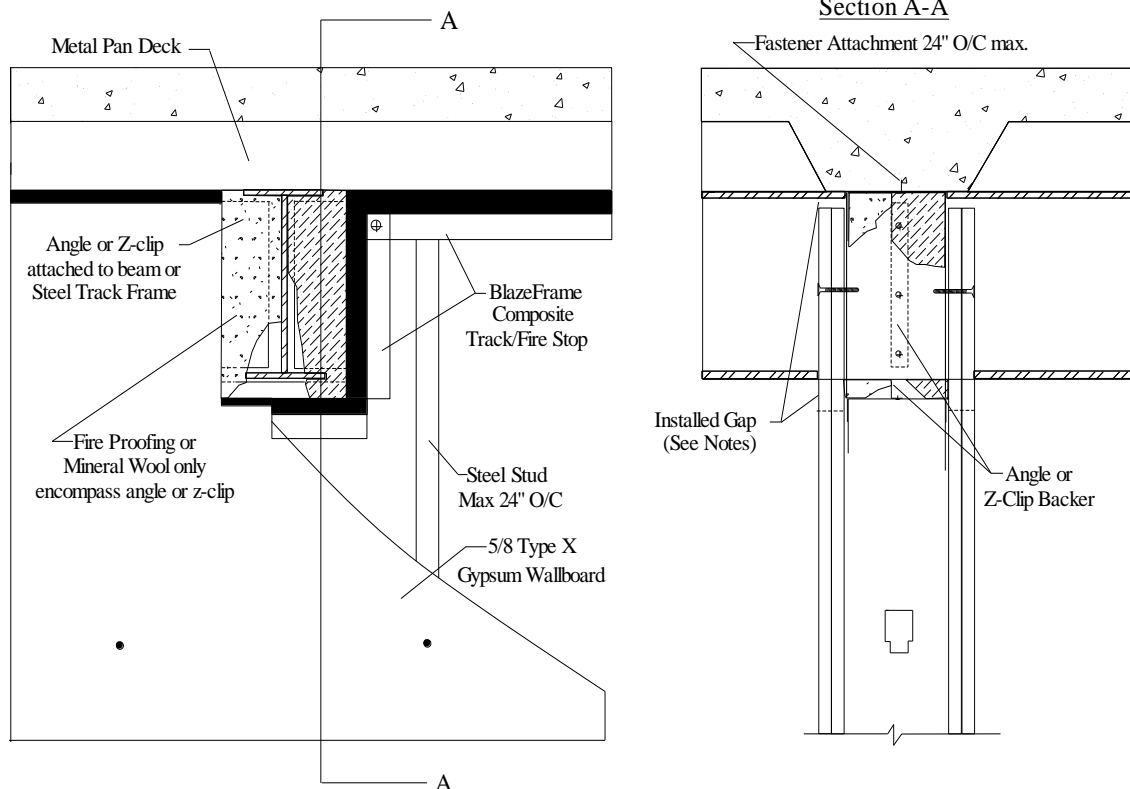


SS1 - Beam Penetration

Joint Movement Capabilities (MC) / Profile Series refer to UL Listing: [HW-D-0495](#)

3/4" MC - (Stock Series) 1" MC - ("W" Series) 1 1/2" MC - ("X" Series)

2" MC - ("Z" Series) 3" MC - ("Y" Series)



1. Installed Gap (compression only) = movement capability (MC) of profile
2. Installed Gap (compress + extension) = 1/2 movement capability (MC) of profile
3. Attach to substrate with approved fastener max 24" O.C or per E.O.R.
4. Do not screw drywall or stud to BlazeFrame solid leg profile studs "free float"
5. "Slotted" profile metal framing fastener installed center of slot (min. one side)
6. Drywall fasteners 1" to 4" below BlazeFrame to accommodate MC

UL, ASTM & Code Standards

UL2079, E814, E1966, ULC S115-M95
A1003, A653, A924, C645, C754, C955
AISI 2004 NAS
2006 & 2009 IBC
2007 CBC

Leed Points

MR 2.1 & 2.2 - Construction Waste: up to 2 pts
MR 4.1 & 4.2 - Recycled Content : up to 2 pts
MR 5.1 & 5.2 - Regional Proximity
EQ 4.1 - Low Emitting Materials
EQ 9 - Enhanced Acoustical

Phone: (425) 869-2811 Fax: (425) 869-2300